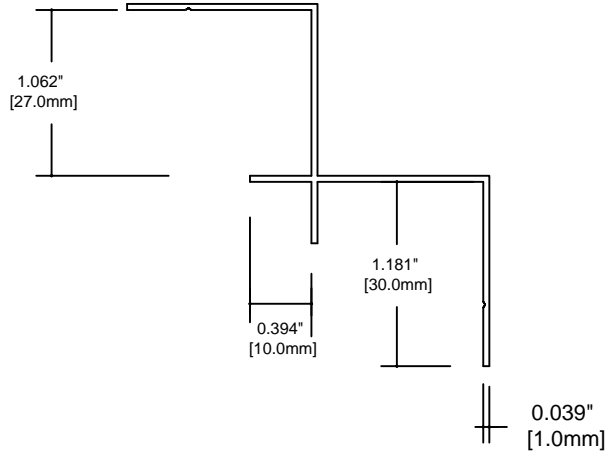
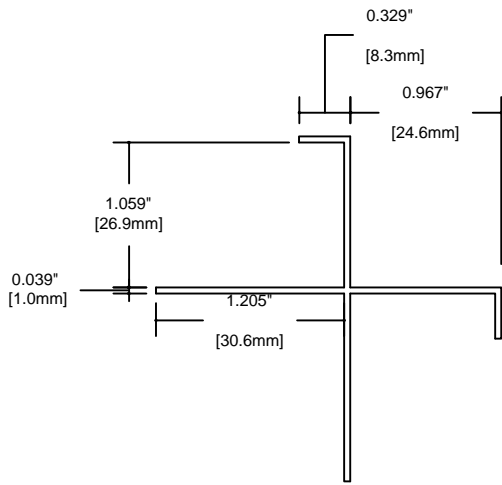


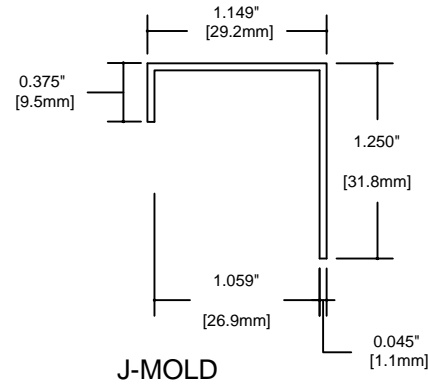
CORNER KEY



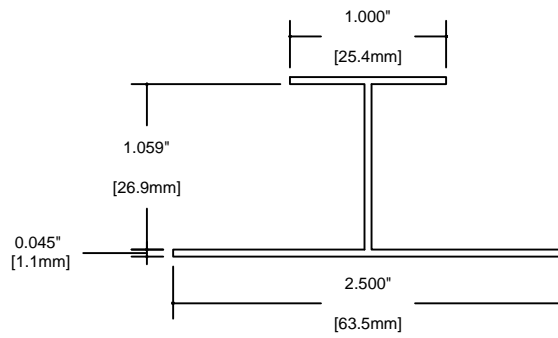
INSIDE CORNER



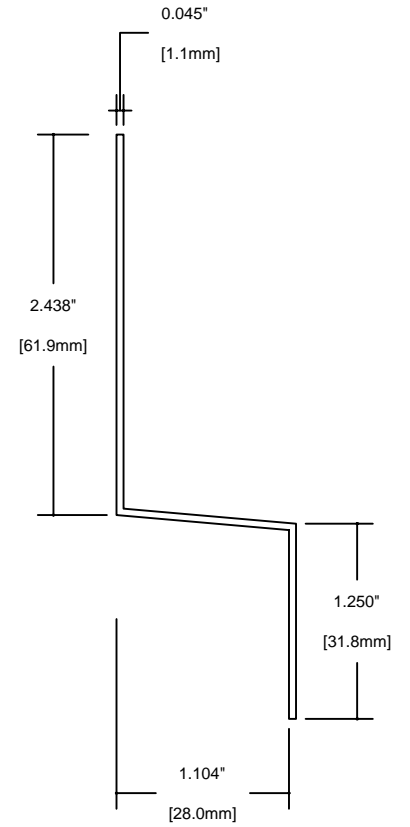
OPEN OUTSIDE CORNER



J-MOLD



H-MOLD



COMPRESSION JOINT FLASHING

NICHIHA TAMLYN ALUMINUM TRIM PROFILES