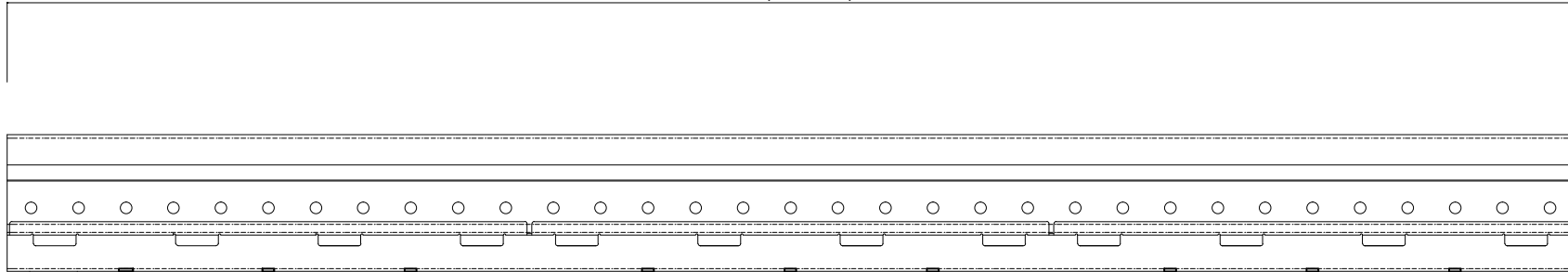


JEL778

JEL788

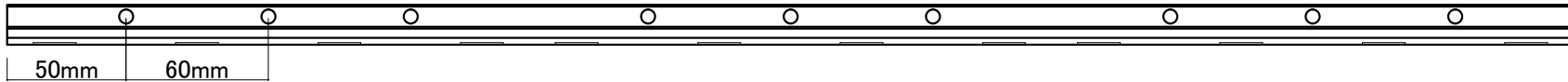
26" (660mm)



Clip Face

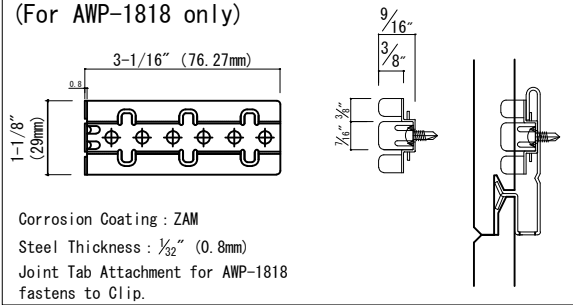
Clip Bottom

40mm  
18mm

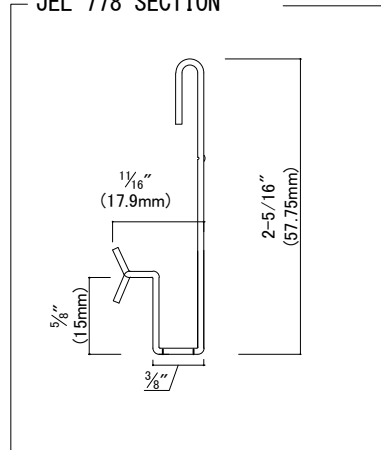


50mm 60mm

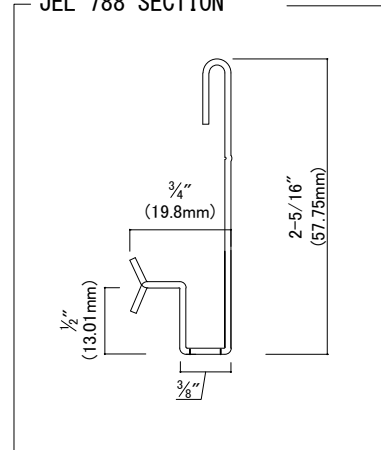
Joint Tab Attachment  
(For AWP-1818 only)



JEL 778 SECTION



JEL 788 SECTION



Sheet Steel Thickness : 3/64" (1.2mm)  
Min. Yield Strength : 27,500 psi  
Min. Tensile Strength : 50,000 psi  
Steel Anti-Corrosion Coating : ZAM

Nichiha AWP Clips: JEL778 and JEL788  
Match clip to appropriate panel thickness per  
Nichiha installation and product literature.