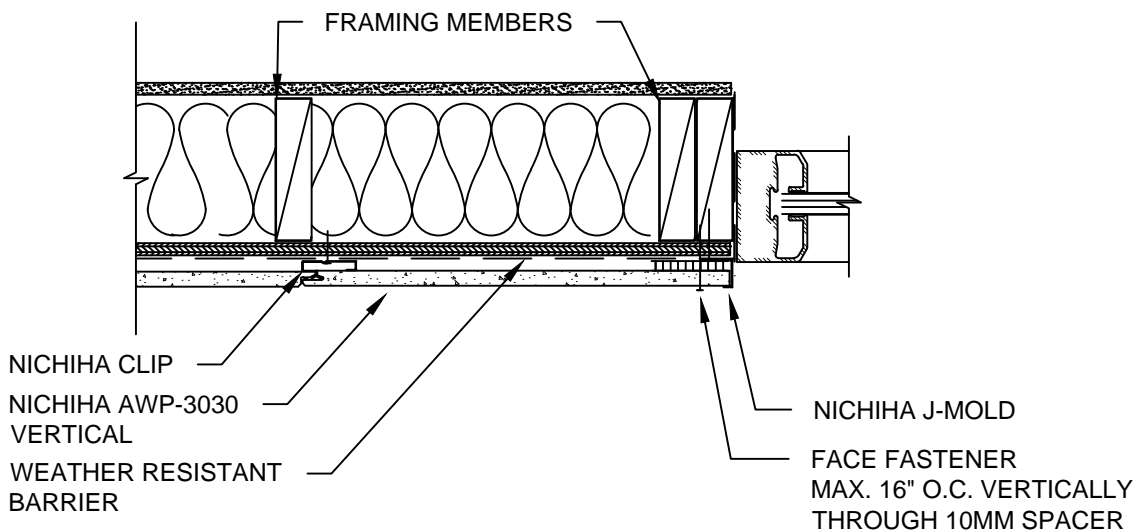


NOTES:

1. THIS CONCEPTUAL DETAIL IS A GUIDE FOR INSTALLATION OF NICHIIHA PRODUCTS. ARCHITECTS/ENGINEERS/CONTRACTORS ARE RESPONSIBLE FOR SUCCESSFUL APPLICATION WHICH DEPENDS UPON SUBSTRATE DESIGN AND CONSTRUCTION BUILT IN ACCORDANCE WITH BEST PRACTICES AND LOCAL BUILDING CODES.
2. FOR VERTICAL APPLICATIONS, ONLY USE NICHIIHA AWP-3030.
3. SHEATHING: 7/16" OR THICKER APA RATED OSB OR PLYWOOD REQUIRED WITH STUD SPACING OTHER THAN 45.5 CM (17-7/8") O.C.
4. METAL FRAMING MEMBERS MUST BE A MINIMUM OF 18 GA.



NICHIIHA AWP-3030 VERTICAL - WINDOW JAMB - RECESSED -
J-MOLD TRIM

SCALE: 1 1/2" = 1'-0"