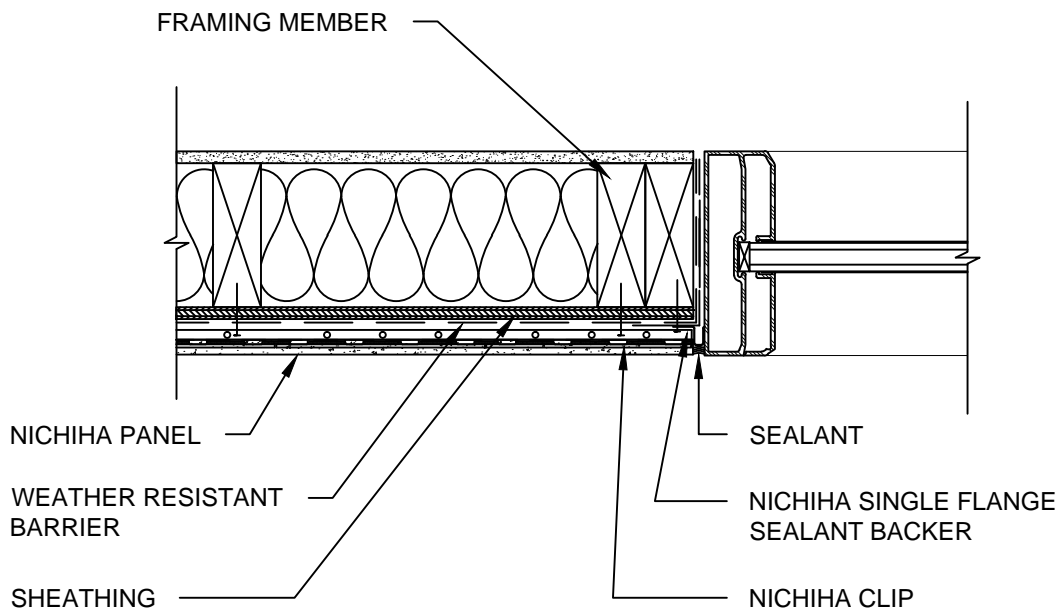


NOTES:

1. THIS CONCEPTUAL DETAIL IS A GUIDE FOR INSTALLATION OF NICHIIHA PRODUCTS. ARCHITECTS/ENGINEERS/CONTRACTORS ARE RESPONSIBLE FOR SUCCESSFUL APPLICATION WHICH DEPENDS UPON SUBSTRATE DESIGN AND CONSTRUCTION BUILT IN ACCORDANCE WITH BEST PRACTICES AND LOCAL BUILDING CODES.
2. NICHIIHA PANEL REPRESENTED HERE IS 5/8" NICHIIHA PRODUCT, ADJUST ACCORDINGLY FOR OTHER NICHIIHA PRODUCT THICKNESSES.
3. SHEATHING REPRESENTED HERE IS 1/2" PLYWOOD OR 7/16" OSB. IF USING OTHER THICKNESSES ADJUST ACCORDINGLY.
4. ADJUST FASTENER LENGTH TO COMPENSATE FOR UP TO 1" FOAM PLASTIC CONTINUOUS INSULATION.



NICHIIHA HORIZONTAL AWP - WINDOW JAMB DETAIL - FLUSH

SCALE: 1/2" = 1'-0"