

OVERVIEW

TIMBERLAND PANEL™/EMPIRE BLOCK™ panels are nominal 10 feet in length, 18 inches in width, and 5/8 inches in thickness. Only 5/8" x 18" x 10' panels can be installed using this vertical application on method. Each panel is ship-lapped on its two long edges for a tight fit. Nichiha's unique construction and installation method using original patented accessories (panel clip, starter and joint flashing) create a pocket of air between the panel and substrate that reduces moisture build-up – minimizing any potential moisture damage to the substrate.

All panels are factory-finished and are backed by our 50-year limited product warranty and 15-year limited finish warranty.

INSTALLATION

1. Site Preparation

- TIMBERLAND PANEL™/EMPIRE BLOCK™ panels can be installed over wood or metal framing. Plywood should be secured to building framing in compliance with best practices and local building codes. **7/16" or thicker APA rated OSB or Plywood sheathing must be used.**
- An approved weather resistive barrier (WRB) as defined by the 2006 IRC. Refer to local building code is required.
- All openings must have appropriate flashing to prevent moisture penetration. Follow WRB manufacturer's guidelines and all local building codes.

2. Fasteners

- Corrosion resistant, coarse-thread or similar type screws for attachment to wood. **Do not use nails.**
- Stainless steel or hot-dipped galvanized screws are recommended. Comply with all local building codes for fastener requirements.
- Accessories should be attached into building wood or metal framing whenever possible. Appropriate wood or metal fasteners are required in compliance with local building codes.

3. Required Special Accessories

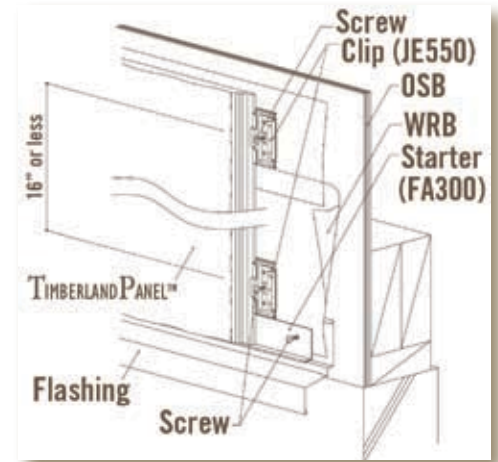
	Required accessories
Starter Piece	FA300
Horizontal Joint Flashing	FTC2388/Z-flashing
Panel Clip	JE550
Single Flange Sealant Backer	FHK1110

4. Installation Details - Transition from wainscot, other material or foundation

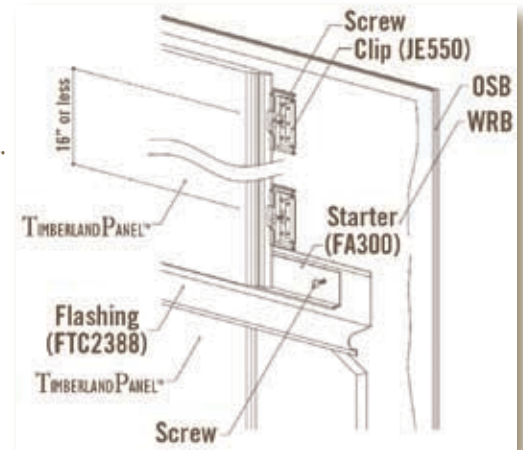
- The starter must be level and applied a minimum of 6" above soil grade and 2" above hard surfaces, or per local building codes.
- Starter should be secured with screws at every 9" (pre-drilled) into sill plate or studs. Set panels in place and secure with panel clips.
- Install the appropriate Horizontal Joint Flashing (FTC2388/Z-flashing) above the top edge of the bottom course of panels. Next, install the starter (FA300) over the horizontal joint flashing (FTC2388/Z-flashing), and then install the next course.

General Panel Installation

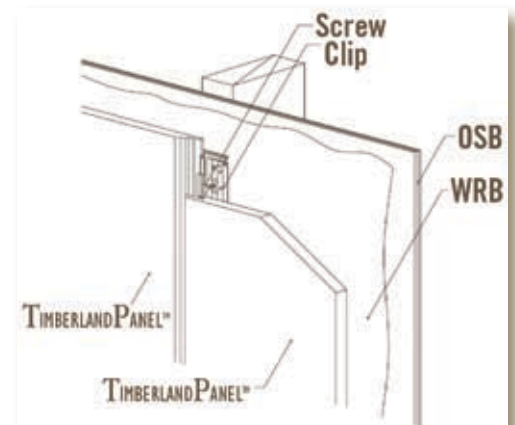
- Panels are installed from left to right, beginning from a wall end (outside or inside corner, or transition joint between other products). The first left ship-lapped edge should be cut off to secure against single flange sealant backer (FHK1110).



Starter with Z-flashing Detail/
Transition Detail



Horizontal Joint
(with Nichiha FTC2388 flashing)

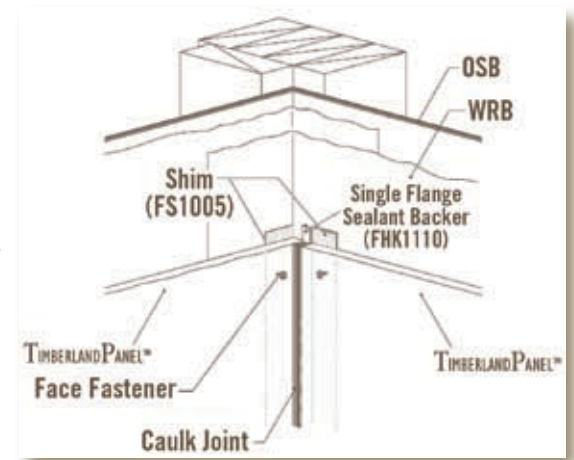


Clip Attachment Detail

- Place the panel on the starter and secure using appropriate clips for the option selected (JE550) at a 12"-16" o.c.
- A rubber mallet or block may be used to seat panels firmly in place and tighten together on vertical panel joints. Do not hammer directly on the panels as direct contact may cause cracks, gouges, or chipping.

Inside Corner

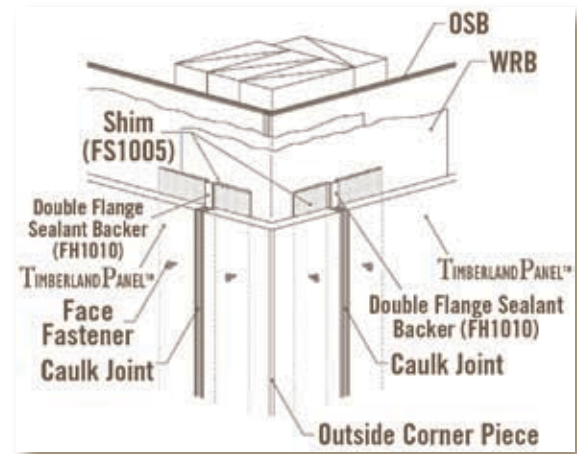
- Predetermine which wall will include the single flange sealant backer (FHK1110). Consider the location to minimize the visual of the sealant line.
- Install the panel on the front wall first, making sure it is tight against the corner.
- Fasten the single-flange sealant backer (FHK1110) onto the adjoining side wall in moderate contact with the installed panel's edge at 12"-16" o.c.
- Install side wall panel right up to the sealant backer and secure with face fasteners.
- Fill the gap between the panels with a sealant which complies with ASTM C-920 standard.



Inside Corner Detail

Outside Corner

- Set outside corner piece on the starter and insert the double flange sealant backer (FH1010) up against the edges of corner piece and then secure the corner piece at 12"-16" o.c.
- Place shim (FS1005) behind corner piece to prevent cracking when face-fastening corner.
- Install the panel in moderate contact with the sealant backer and secure with face fasteners.
- Fill the gap between the panel and corner piece with a sealant which complies with ASTM C-920 standard.



Outside Corner Detail

Caulking

- Refer to the sealant manufacturer's instructions or requirements.
- Place masking or painter's tape over the panel along the joints for a clean caulk line.
- Before removing tape, press the surface of the sealant with a caulk spatula or similar tool to ensure an even surface. Remove masking tape before sealant cures.
- If excess sealant adheres to panel, remove completely using a putty knife or soft cloth.

Available in:

TIMBERLAND PANEL™



Bark



Cedar

EMPIRE BLOCK™



OVERVIEW

TIMBERLAND PANEL™/EMPIRE BLOCK™ panels are nominal 10 feet in length, 18 inches in width, and 5/8 inches in thickness. Only 5/8" x 18" x 10' panels can be installed using this vertical application on method. Each panel is ship-lapped on its two long edges for a tight fit. Nichiha's unique construction and installation method using original patented accessories (panel clip, starter and joint flashing) create a pocket of air between the panel and substrate that reduces moisture build-up – minimizing any potential moisture damage to the substrate.

All Vertical Panels are factory-finished and are backed by our 50-year limited product warranty and 15-year limited finish warranty.

INSTALLATION

1. Site Preparation

- TIMBERLAND PANEL™/EMPIRE BLOCK™ panels can be installed over wood or metal framing. Plywood should be secured to building framing in compliance with best practices and local building codes. **7/16" or thicker APA rated OSB or Plywood sheathing must be used.**
- An approved weather resistant barrier (WRB) as defined by the 2006 IRC. Refer to local building code is required.
- All openings must have appropriate flashing to prevent moisture penetration. Follow WRB manufacturer's guidelines and all local building codes.

2. Fasteners

- Corrosion resistant, coarse-thread or similar type screws are required for attachment to wood. **Do not use nails.**
- Stainless steel or hot-dipped galvanized screws are recommended. Comply with all local building codes for fastener requirements.
- Accessories should be attached into building wood or metal framing whenever possible. Appropriate wood or metal fasteners are required in compliance with local building codes.

3. Required Special Accessories

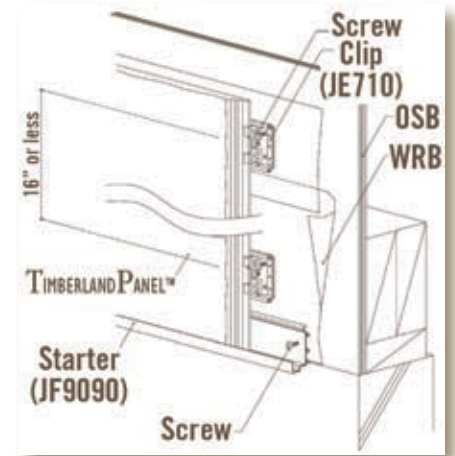
	Required accessories
Starter Piece	JF9090
Horizontal Joint Flashing	JF8090
Panel Clip	JE710
Single Flange Sealant Backer	FHK1017

4. Installation Details - Transition from wainscot, other material or foundation

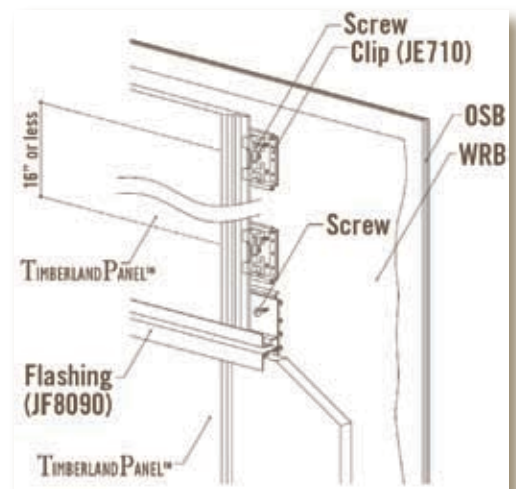
- The starter must be level and applied a minimum of 6" above soil grade and 2" above hard surfaces, or per local building codes.
- Starter JF9090 should be secured with screws at every 9" into sill plate or studs. Set panels in place and secure with panel clips.
- Install the Horizontal Joint Flashing (JF8090) above the top edge of the bottom course of panels.

General Panel Installation

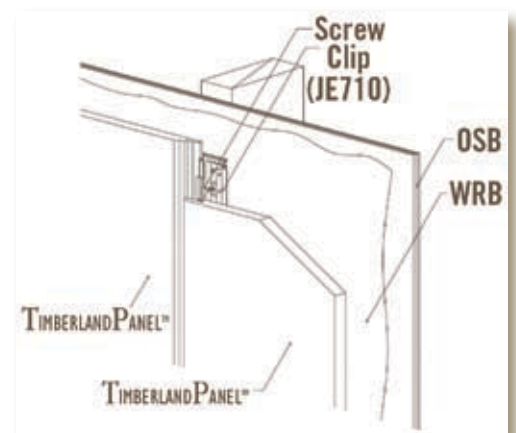
- Panels are installed from left to right, beginning from a wall end (outside or inside corner, or transition joint between other products). The first left ship-lapped edge should be cut off to secure against single flange sealant backer (FHK1017).
- Place the panel on the starter and secure with clips (JE710) fastened at 16" o.c.
- A rubber mallet or block of wood may be used to seat panels firmly in place and tighten together on vertical panel joints. Do not hammer directly on the panels as direct contact may cause cracks, gouges, or chipping.



Starter Detail



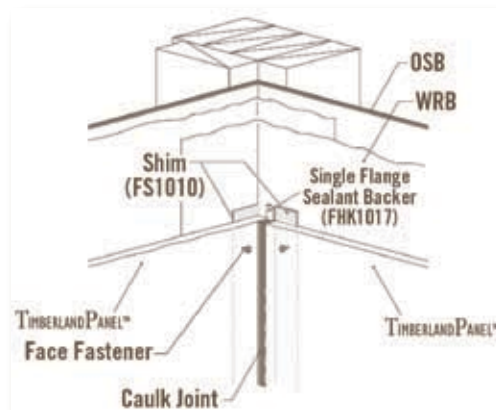
Horizontal Joint Detail



Clip Attachment Detail

Inside Corner

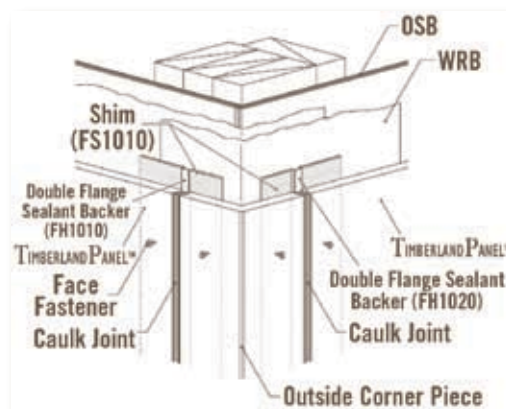
- Predetermine which wall will include the single flange sealant backer (FHK1017). Consider the location to minimize the visual of the sealant line.
- Install the panel on the front wall first, making sure it is tight against the corner.
- Fasten the single-flange sealant backer (FHK1017) onto the adjoining side wall in moderate contact with the installed panel's edge at 12"-16" o.c. Fasten panel by pre-drilling and face-fastening through a green shim (FS1010), 1" from panel edge at 12"-16" o.c.
- Place a green shim (FS1010) butted tight up against the single flange sealant backer.
- Install side wall panel right up to the sealant backer and secure with face fasteners.
- Fill the gap between the panels with a sealant which complies with ASTM C-920 standard.



Inside Corner Detail

Outside Corner

- Set outside corner piece on the starter and insert the double flange sealant backer (FH1020) up against the edges of corner piece and then secure the corner piece at 12"-16" o.c.
- Install the panel in moderate contact with the sealant backer and secure with face fasteners.
- Place shim (FS1010) behind corner piece to prevent cracking when face-fastening corner.
- Fill the gap between the panel and corner piece with a sealant which complies with ASTM C-920 standard.



Outside Corner Detail

Caulking

- Refer to the sealant manufacturer's instructions or requirements.
- Place masking or painter's tape over the panel along the joints for a clean caulk line.
- Before removing tape, press the surface of the sealant with a caulk spatula or similar tool to ensure an even surface. Remove masking tape before sealant cures.
- If excess sealant adheres to panel, remove completely using a putty knife or soft cloth.

Available in:

TIMBERLANDPANEL™



Bark



Cedar

EMPIREBLOCK™



Silica Dust Warning: NICHIHA products may contain some amounts of crystalline silica [a.k.a. sand, silicon dioxide], which is a naturally occurring mineral. The amount will vary from product to product. Inhalation of crystalline silica into the lungs and repeated exposure to silica can cause health disorders, such as silicosis, lung cancer, or death depending upon various factors. To be conservative, Nichiha recommends that whenever cutting, sawing, sanding, sniping or abrading the product, users observe the Safety Instructions above. For further information or questions, please consult the MSDS, your employer, or visit www.osha.gov/SLTC/silicacrystalline/index.html and www.cdc.gov/niosh/topics/silica. The MSDS for Nichiha products are available at www.nichiha.com, at your local Nichiha dealer or through Nichiha directly at 1.866.424.4421. FAILURE TO ADHERE TO OUR WARNINGS, MSDS, AND OTHER INSTRUCTION MAY LEAD TO SERIOUS PERSONAL INJURY OR DEATH.