



Nichiha Trim & Accessories

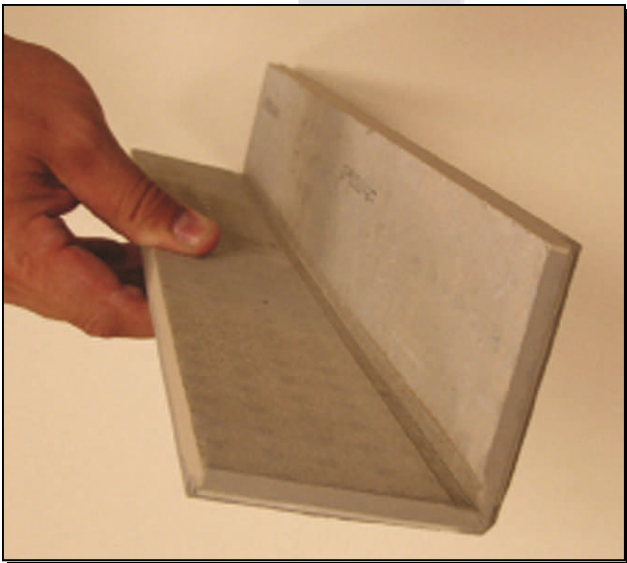
- 3.1 Nichiha Pre-Manufactured Mitered Corners**
- 3.2 Nichiha Metal Trim**
- 3.3 Starter Track**
- 3.4 Panel Clips**
- 3.5 Corner Clips**
- 3.6 KuraStone Clips**
- 3.7 Short Joint Clips**
- 3.8 Long Joint Clips**
- 3.9 Single Flange Sealant Backer**
- 3.10 Double Flange Sealant Backer**
- 3.11 1/4" Spacer**
- 3.13 1/2" Spacer**

Nichiha offers trim and accessories that complement our Brick, Stone & Block Panels and NichiProducts™



3.1 Pre-Manufactured Brick, Stone & Block Mitered Corners

- Pre-manufactured mitered corners are available for all brick, stone and block panel products. Corners are the same height as the panels.
- Provides a clean professional corner appearance.
- Top & bottom edges are ship-lapped.
- Top edges feature a urethane foam seal.
- Corner sides are smooth cut and ready for sealant joint.



3.2 Nichiha Metal Trim

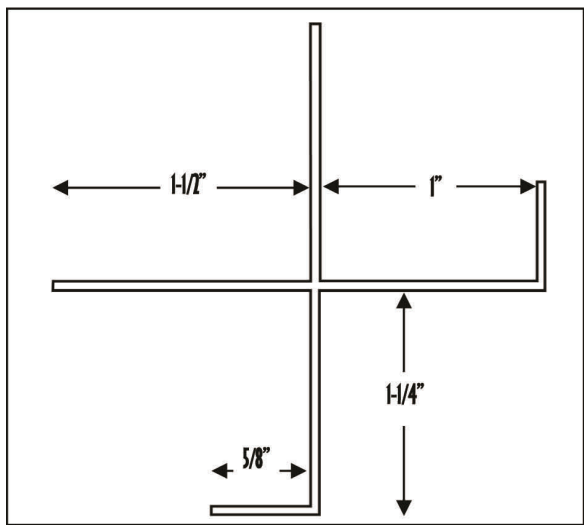
- Nichiha Metal Trim comes in mill finish, aluminum, beige, bronze and chrome.
- Applications include: window and door trim, top panel edge, base trim, corner trim, etc.
- Nichiha Metal Trim is also available in custom colors and configurations. Call Nichiha for details.
- Standard configurations are:

Color / Finish

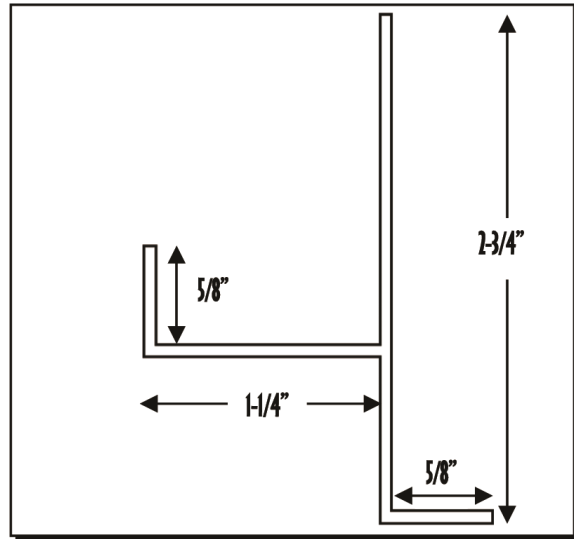
- 01 = Mill
- 02 = Aluminum
- 03 = Chrome
- 04 = Beige
- 05 = Bronze



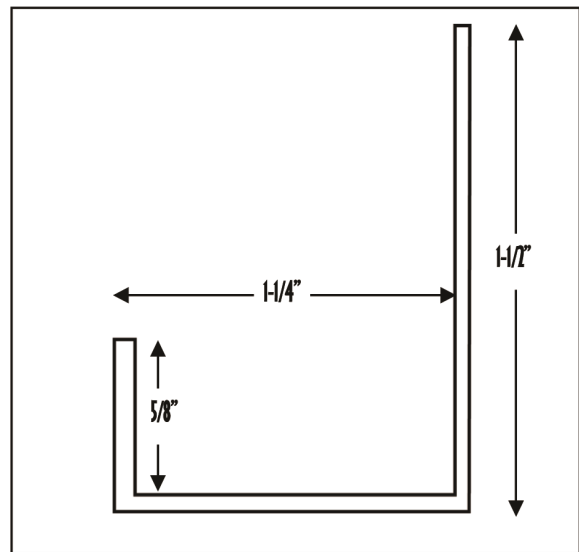
"X" Corner Trim MT342110-(01-05)



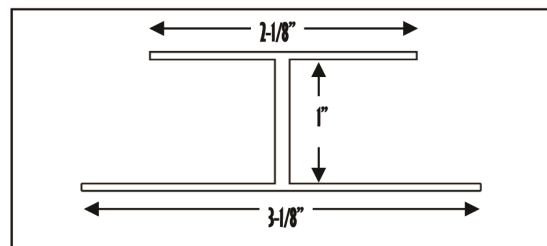
"W" Reveal Trim MT342081-(01-05)



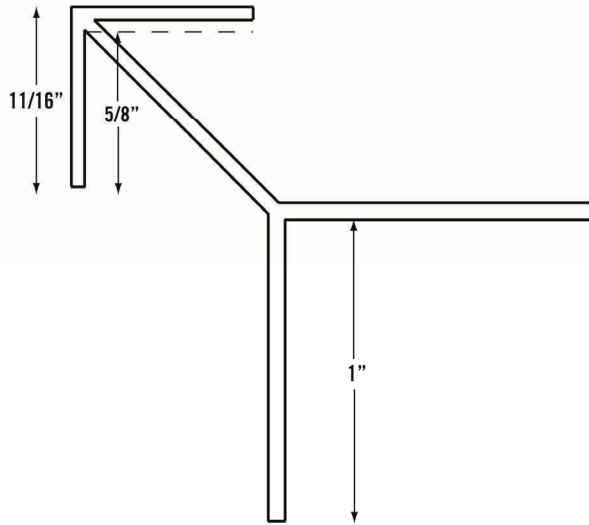
"J" Trim MT342080-(01-05)



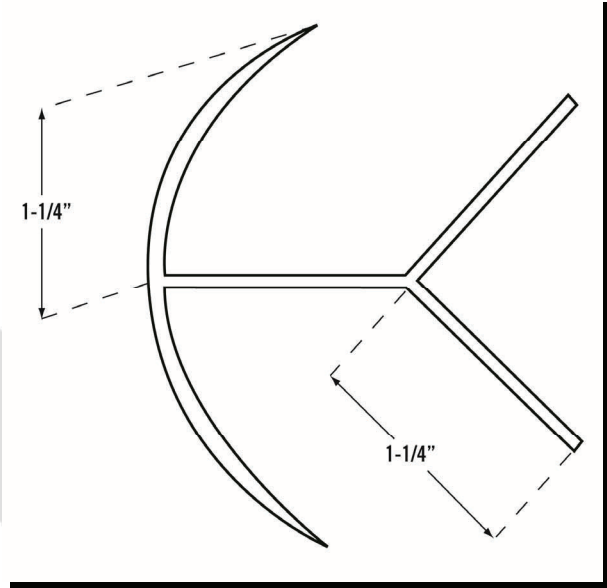
"H" Trim MT342169-(01-05)



Corner Key Trim
MT342079-(01-05)



Radius Corner Trim
MT342107-(01-05)

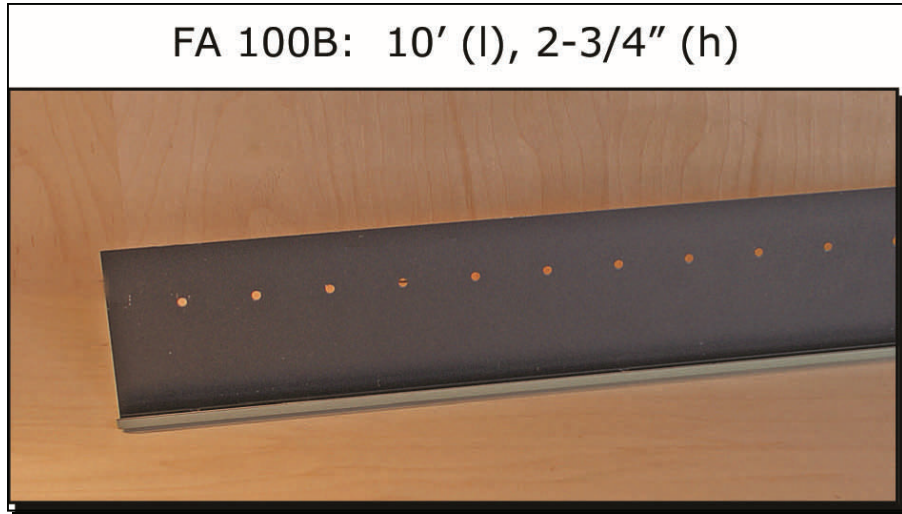


NICHHA
fiber cement



3.3 Starter Track

- For use with Nichiha specialty panel products
- Galvalume track
- Used to start panel course



3.4 Panel Clips

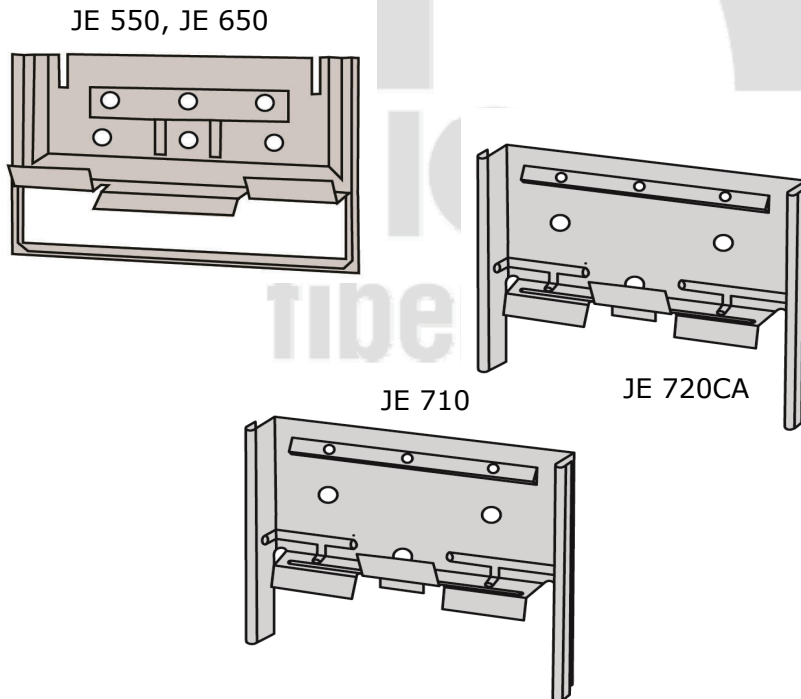
- For use with Nichiha specialty panel products
- Stainless steel clip, used on top edges of panels; attached at all framing members

USA Requirements

- JE 550: For use with 5/8" nominal panels (16mm actual)
- JE 650: For use with 3/4", 7/8", 1" nominal panels (18mm actual, 21mm, 25mm actual)

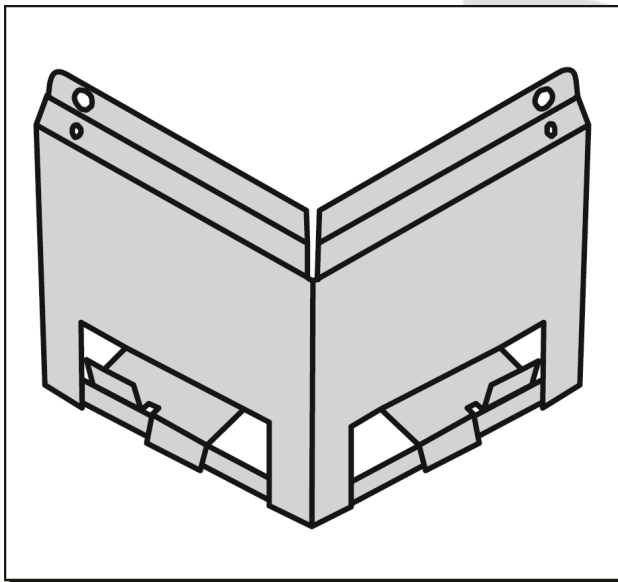
Canadian Requirements (10mm rainscreen)

- JE 710: For use in Canada with 5/8" nominal panels (16mm actual)
- JE720CA: For use in Canada with 3/4", 7/8", 1" nominal panels (18mm, 21mm,



3.5 Corner Clip (not available in Canada)

- For use with Nichiha pre-manufactured mitered corners
- JE 550C: used with 5/8" panel products (16mm actual)
- JE 650C: used with 3/4", 7/8" and 1" panel products (18mm, 21mm, 25mm)

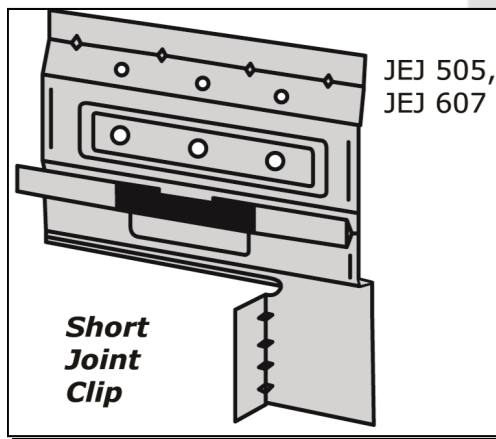


3.6 Short Joint Clip (not available in Canada)

- For use with Nichiha panel products.
- For use on vertical specialty joints in applications using plywood or OSB as sheathing

USA Requirements

- JEJ 505: 5/8" nominal (16mm actual)
- JEJ 607: 3/4", 7/8", 1" nominal



3.7 Long Joint Clip

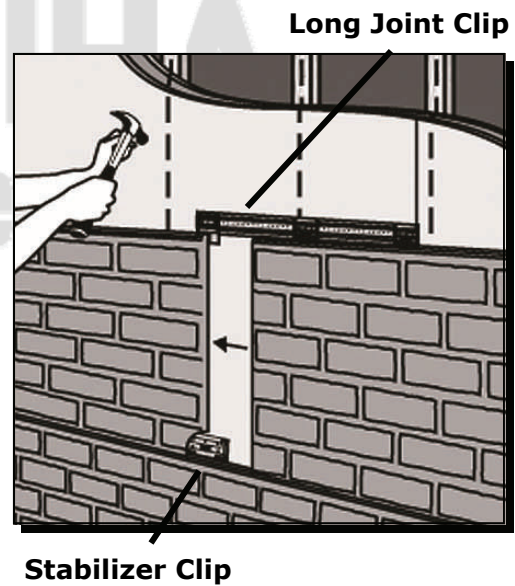
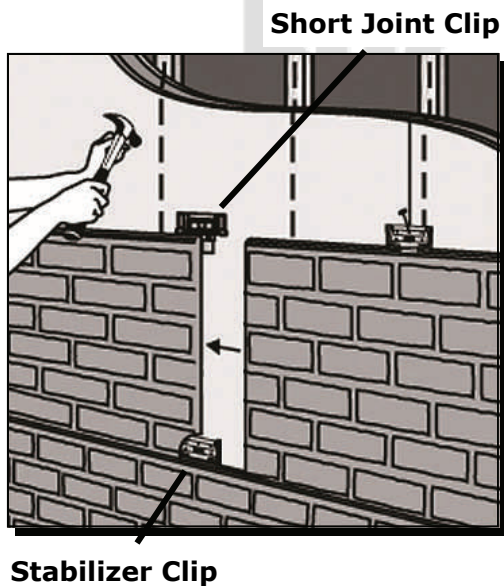
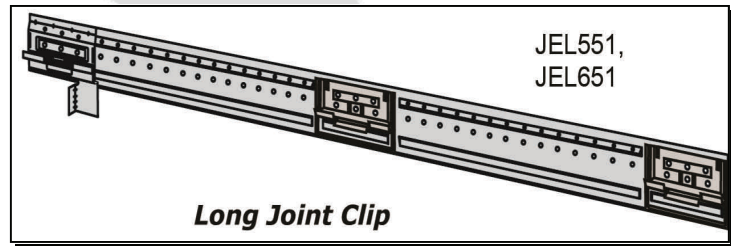
- For use with Nichiha panel products
- For use on vertical ship-lapped joints in certain applications without sheathing or with gypsum-type sheathing

USA Requirements

- JEL 551: 5/8" nominal (16mm actual)
- JEL 651: 3/4", 7/8", 1" nominal (18mm, 21mm, 25mm actual)

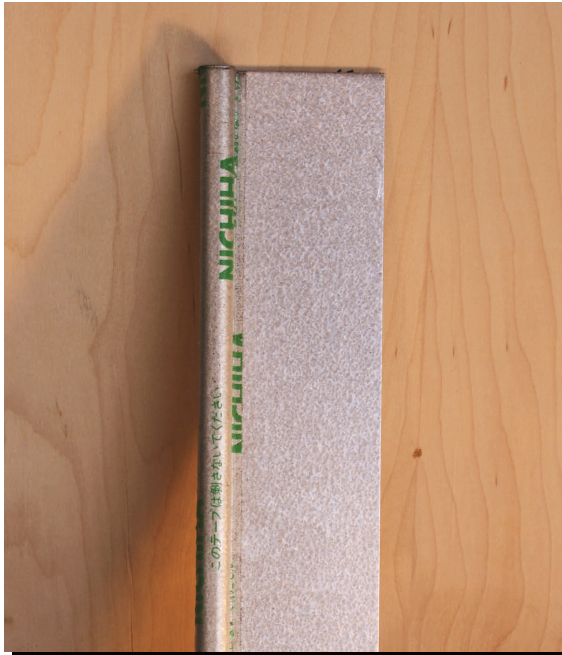
Canadian Requirements

- JEL 552: 5/8" nominal (16mm actual)
- JEL 652: 3/4", 7/8", 1" nominal (18mm, 21mm, 25mm actual)



3.8 Single Flange Sealant Backer

- For use with Nichiha specialty panels at inside corners, against window and door trim
- For use against corner trim boards



USA Requirements

- FHK1110

Canadian Requirements

- FHK1117

3.8 Double-Flange Sealant Backer

- For use with Nichiha specialty panels at expansion joints
- For use with Nichiha pre-manufactured corners



USA Requirements

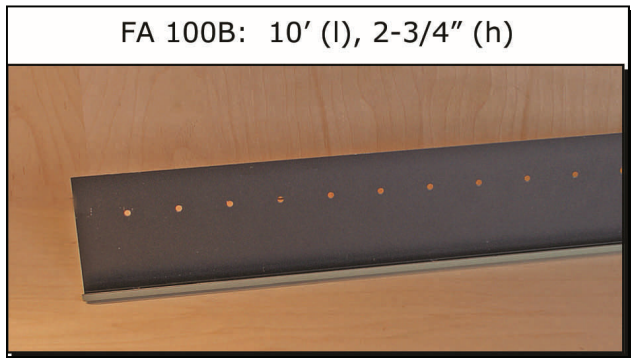
- FH1010

Canadian Requirements

- FH1020

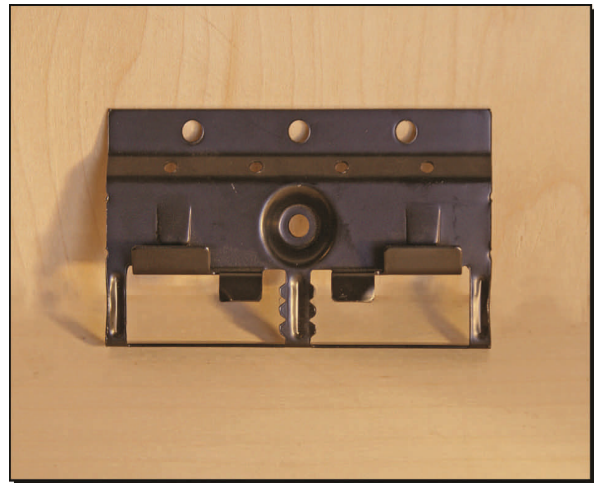
3.9 KuraStone™ Starter Track

- For use with Nichiha KuraStone™ products
- Galvalume track
- Used to start panel course



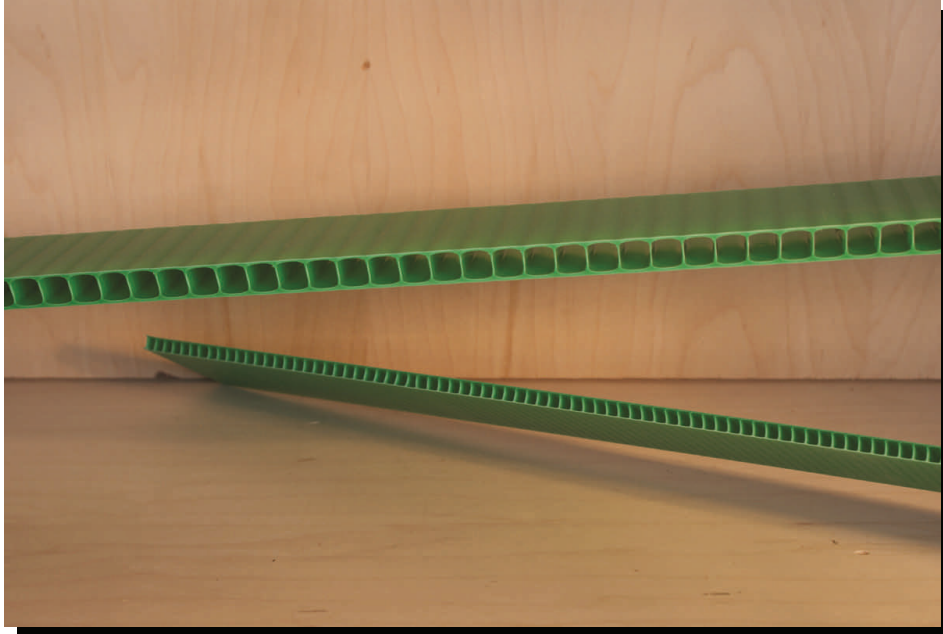
3.10 KuraStone™ Clip

- JE 603: For use with KuraStone™ pieces only
- Fasteners provided with the clips



3.11 Corrugated Shim—5mm

3.12 - Corrugated Shim—10mm



USA Requirements

- FS1005

Canadian Requirements

- FS1005

USA Requirements

- FS1010

Canadian Requirements

- FS1010

Section Quiz

What Nichiha part is used to “start” a panel course?

What accessory would you need at a vertical ship-lapped joint?

